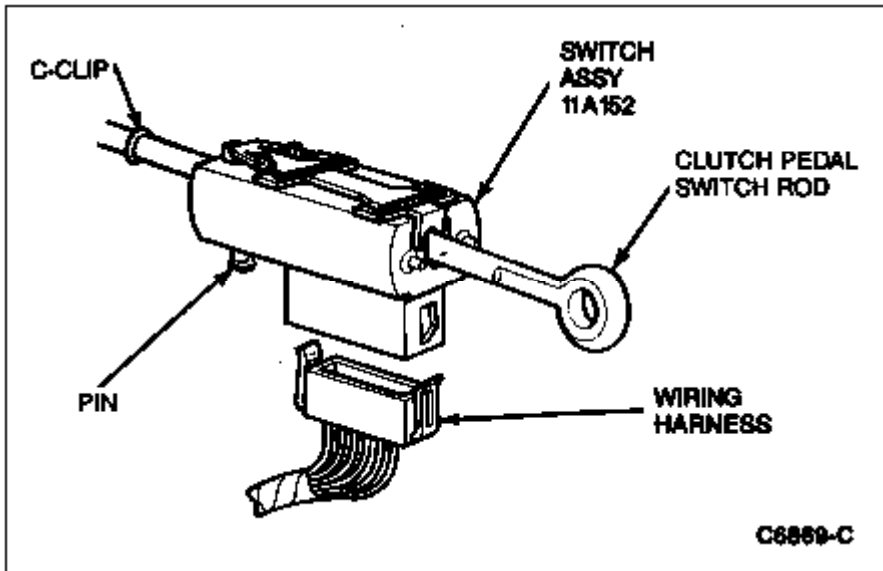




Clutch/Starter Interlock Switch

Removal

1. Disconnect wiring harness from switch.
2. Remove C-clip from clutch pedal switch pin. Slide push rod off pin.
3. Remove C-clip from end of clutch pedal switch rod.
4. Remove switch push rod from switch.
5. Disconnect switch from plastic bracket.



Installation

1. Install switch on plastic bracket.
 2. Slide push rod through switch and plastic bracket to ensure proper alignment.
 3. Install C-clip on end of switch push rod.
 4. Install push rod on clutch pedal switch pin and install C-clip.
 5. Connect wiring harness.
 6. Test for proper function. Refer to «[Section 10-03](#)».
-